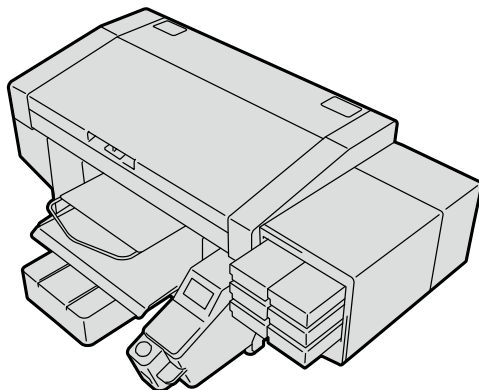




---

Please be sure to read this manual before using this product.  
Keep this manual in a safe place for future use.

---








**GTX pro**

**GARMENT PRINTER  
Setup Manual**

## Table of contents

Please be sure to read "SAFETY INSTRUCTIONS" before use.

	Installation	1
	Setup of the printer	5
	Connection to a PC	18
	Adjustment	24
	Maintenance list	28

# SAFETY INSTRUCTIONS

Thank you very much for buying a BROTHER printer. Before using your new printer, please read the "SAFETY INSTRUCTIONS" and handling instructions carefully.




## SAFETY INSTRUCTIONS

### 1. Safety indications and their meanings

This instruction manual and the indications and symbols that are used on the printer itself are provided in order to ensure safe operation of this printer and to prevent accidents and injury to yourself or other people.

The meanings of these indications and symbols are given below.

#### Indications

 <b>DANGER</b>	The instructions which follow this term indicate situations where failure to follow the instructions will result in death or serious injury.
 <b>WARNING</b>	The instructions which follow this term indicate situations where failure to follow the instructions could result in death or serious injury.
 <b>CAUTION</b>	The instructions which follow this term indicate situations where failure to follow the instructions may result in minor or moderate injury.

 **IMPORTANT**


The instructions which follow this term indicate situations where failure to follow the instructions may result in damage to property.

 **NOTE**


The instructions which follow this term indicate precautions and restrictions for use.

#### Symbols




This symbol () indicates something that you should be careful of. The picture inside the triangle indicates the nature of the caution that must be taken. (For example, the symbol at left means "beware of injury".)



This symbol () indicates something that you must not do.



This symbol () indicates something that you must do. The picture inside the circle indicates the nature of the thing that must be done. (For example, the symbol at left means "you must make a ground connection".)

### 2. Notes on safety

 **DANGER**



Contact with high voltage sections may lead to a serious injury. Turn off the power, and remove the cover 5 minutes later.

## **WARNING**

### **Basic precautions**



To prevent accidents and problems, do not modify the machine yourself. Brother will not be held responsible for any accidents or problems resulting from modifications made to the machine.



Do not handle the power cord with wet hands. Otherwise, it may cause electric shocks.

### **Installation**



Do not set up the printer in a dusty environment. If dust collects inside the printer, it may cause fire or electric shocks or problems with correct operation.



Be sure to connect the ground. If the ground connection is not secure, you run a high risk of receiving a serious electric shock, and problems with correct operation may also occur.



Do not bend the cords excessively or fasten them too hard with staples or anything similar to secure cords. Otherwise it may cause fire or electric shocks.



### **Printing**



If a foreign object gets inside the printer, immediately turn off the power, disconnect the power cord, and contact the place of purchase or a qualified technician. If you continue to use the printer while there is a foreign object inside, it may result in fire or electric shocks or problems with correct operation.



Do not allow the printer to come into contact with liquids. Otherwise it may cause fire or electric shocks or problems with correct operation.












If any liquid gets inside the printer, immediately turn off the power, disconnect the power cord, and contact the place of purchase or a qualified technician.










Do not use the printer when smoke or a bad odor is coming from the printer. Otherwise it may cause fire or electric shocks or problems with correct operation. Immediately turn off the power, disconnect the power cord, and contact the place of purchase or a qualified technician.



 <b>WARNING</b>	
<b>Printing</b>	
	Keep your finger or any body part away from the rotating fan. Otherwise it will be caught up, which results in injuries. Turn off the power when you approach the fan.

 <b>CAUTION</b>	
<b>Environmental requirements</b>	
	Use the printer in a place which is adequately ventilated. A slight odor is generated when the printed articles are being fixed by heat.
<b>Installation</b>	
	Setting up and moving of the printer should only be carried out by a qualified technician.
	The printer machine weighs 128 kg (282 lb). Transporting and setting up of the printer should be held in the proper way. Otherwise it may fall down and cause injury.
	
	When the printer falls down, disconnect the power cord and contact the place of purchase or a qualified technician. If you continue to use it, it may result in fire or electric shocks or poor printing quality.
	

	Do not place the printer on a shaky table or high shelf or other unstable location. Otherwise it may tip over or fall down and cause injury. Furthermore, the table that supports the machine should be at least 35.4 in. (90 cm) in width and 23.6 in. (60 cm) in depth, and should be able to bear a weight of 150 kg (330 lb) or more.
	Do not set up the printer in a place where it will be affected by vibration. Otherwise the printing quality may be degraded or the printer may fall down, which causes injury or results in failure of the printer.
	Do not connect the power cord until installation is complete. The printer may operate if the power is turned on by mistake, which could result in injury.
	Do not climb onto the printer or place heavy objects on top of it. Otherwise it may become unbalanced and tip over or fall down and cause injury.
	Be careful not to touch the claws of the mounting portion on the upper side of the rear cover. Otherwise you may be injured.
<b>Printing</b>	
	This printer should only be used by operators who are appropriately trained in its safe operation.
 <b>CAUTION</b>	

## Printing



Ensure there is adequate space left in front of the printer and avoid placing any objects. Otherwise your hand may get caught between the platen and an object, which may result in injury.



Do not handle the platen while printing. If your hand gets caught between the platen or the T-shirt tray and the covers, it may be injured.



Do not put your hands inside the covers while the printer's power is turned on. Otherwise your hands may touch against moving parts and this may result in injury.



When the pretreatment is applied to printed objects (like a T-shirt) with a spray or pretreatment applicator, sprayed mist is generated. So wear a pair of plastic gloves, a mask and protective glasses (or goggles) designed to shield against liquid splash, and fully take care of the air ventilation when you are working with it.



When a problem occurs with the operation of the printer, contact the place of purchase or a qualified technician.

## Maintenance



Be careful not to get your fingers caught when closing the front cover, otherwise it may result in injury to your fingers.



When you mount or replace the head, be careful not to get your hands or fingers caught. Otherwise you may be injured.



Do not disassemble the ink pouch. If the ink gets into your eyes or onto your skin, it may cause inflammation. In case of contact with eyes, do not rub but immediately rinse the eyes with water.





Do not drink liquids such as the ink, maintenance solution, cleaning solution, pretreatment, or waste. They may cause diarrhea or vomiting. Avoid causing your eyes or skin to make contact with the ink, maintenance solution, cleaning solution, pretreatment or waste. It may cause inflammation. In case of contact with eyes, do not rub but immediately rinse the eyes with water. Keep the liquids out of the reach of children.



Be sure to wear protective goggles and gloves when handling the grease, so that it does not get into your eyes or onto your skin. It can cause inflammation. Do not drink or eat the grease. It may cause diarrhea or vomiting. Keep the liquids out of the reach of children.



 **CAUTION**

**Maintenance**





-  When replacing parts and installing optional accessories, be sure to use only genuine Brother parts. Brother will not be held responsible for any accidents or problems resulting from the use of non-genuine parts.
-  When replacing parts or installing optional accessories, be sure to follow the procedures described in the Instruction Manual. Incorrect procedures could cause injuries or problems.

**((!))IMPORTANT**

**Printing**

-  Do not move the platen by hand. Otherwise the printer may be mechanically and electrically damaged.
-  Ensure there is adequate space left in front of the printer and avoid placing any objects. The platen may be hit and damaged.

**((!))NOTE**

-  Use the printer in an area which is free from sources of strong electrical noise such as electrical line noise or static electric noise. Sources of strong electrical noise may cause problems with correct operation.
-  Any fluctuations in the power supply voltage should be within  $\pm 10\%$  of the rated voltage for the printer. Voltage fluctuations which are greater than this may cause problems with correct operation.
-  The power supply capacity should be greater than the requirements for the printer's power consumption. Insufficient power supply capacity may cause problems with correct operation.
-  In the event of an electrical storm, turn off the power and disconnect the power cord from the wall outlet. Lightning may cause problems with correct operation.



### <About trademarks>

The names of operating systems described in the main context of this manual are abbreviated. Product names used in this manual are, in general, trademarks or registered trademarks of their respective developer or manufacture. However, in this manual, the ® marks or TM marks are not used.

Brother logo is registered trademark of Brother Industries, Ltd. Apple, Macintosh, Mac OS, iOS, OS X, macOS, Safari, iPad, iPhone, iPod and iPod touch are the trademarks or registered trademarks of Apple Inc. in the United States and other countries.

The official name of Windows® 8.1 is Microsoft® Windows® 8.1 operating system. (represented as Windows 8.1 in this manual)

The official name of Windows® 10 is Microsoft® Windows® 10 operating system. (represented as Windows 10 in this manual)

Microsoft®, Windows® 8.1, and Windows® 10 are trademarks and registered trademarks of Microsoft Corporation in the United States of America and other countries.

Other product and company names mentioned herein may be the trademarks or registered trademarks of their respective owners.

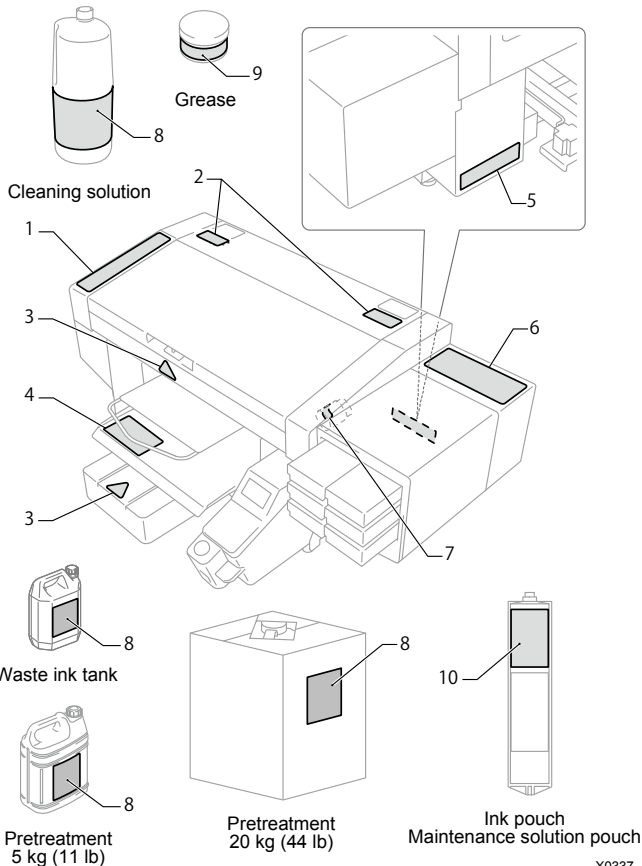
Information in this document and the specifications of this product are subject to change without notice.

### <About the CE declarations>

Downloadable from: <http://www.brother.com>

# SAFETY INSTRUCTIONS

## 3. Warning labels



This printer has the following warning labels displayed on it. Follow the precautions given on each warning label for your work.

When the label is peeled off or illegible, contact the place of purchase.

1	<p><b>注意</b></p> <p>下層ホコリが可燃性がある。ファンなどの回転部品は非常に熱い。乱暴な取り扱いは危険がある。インクなどの液体が目を汚染する可能性がある。</p> <p><b>注意</b></p> <p>粉状の身体粉塵、粉粒、液体は鼻や喉を刺激する。粉状の身体粉塵、粉粒、液体は皮膚を刺激する。注意喚起符等は不要に印刷部を汚染しない。</p> <p><b>CAUTION</b></p> <p>Do not drink the liquid under any circumstances, as they can cause vomiting and diarrhea. Take care not to let the liquid come into contact with your eyes or onto your skin, otherwise inflammation can result.</p> <p><b>ACHTUNG</b></p> <p>Bitte trinken Sie nicht die Flüssigkeiten. In die Gelenke und in die Ohren und Durchfall besteht. Vermeiden Sie den Kontakt der Flüssigkeiten mit Augen und Haut, sonst können diese gereizt werden.</p> <p><b>ATTENTION</b></p> <p>Ne pas avaler les liquides (aucune manière, car cela pourrait entraîner vomissements et diarrhée). Veillez à ne pas laisser ces liquides être en contact avec les yeux ou la peau, car ceci pourrait entraîner une inflammation.</p> <p><b>ATENCIÓN</b></p> <p>No tome los líquidos en cualquier caso, como pueden causar vómitos y diarrea. Tome el cuidado para no permitir que los líquidos toquen los ojos ni en la piel. De otro modo inflamación puede resultar.</p> <p><b>ATTENZIONE</b></p> <p>Non bere per nessun motivo i liquidi poiché possono causare vomito e diarrea. Evitare il contatto di questi liquidi con gli occhi e con la pelle, poiché potrebbero creare infiammazioni.</p>
---	--

2	<p><b>警告</b></p> <p>回転部危険。手や体を近づけないこと。</p> <p><b>警告</b></p> <p>稼働部危険。手や身体を近づけないこと。</p> <p><b>WARNING</b></p> <p>Teil in Bewegung. Halten Sie Finger und andere Körperteile auf Abstand.</p> <p><b>AVVERTISSEMENT</b></p> <p>Pièces mobiles dangereuses. Éloignez les doigts et autres parties du corps.</p> <p><b>ADVERTENCIA</b></p> <p>Partes peligrosas en movimiento. Por favor, manténgase alejado.</p> <p><b>AVVERTENZA</b></p> <p>Attenzione parti in movimento. Tenere le dita e altre parti del corpo lontane.</p>
---	---



4	<p><b>注意</b></p> <p>Moving plates, rollers and covers can cause body injury. Keep hands off plates while printing.</p> <p><b>ACHTUNG</b></p> <p>Bewegende Platten, Rollen und Abdeckungen können Körperverletzungen verursachen. Halten Sie die Hände von der Auflage während des Druckvorgangs fern.</p> <p><b>ATTENZIONE</b></p> <p>Dispositivo del piatto, cinghie e coperture può causare lesioni corporee. Evitare le mani e le dita dalle parti in movimento.</p> <p><b>ATENCIÓN</b></p> <p>Movientes de platos, la bandeja de transporte. No sujeten los dedos cuando una herida personal. Evitar la manipulación de la placa durante la impresión.</p> <p><b>ATTENZIONE</b></p> <p>Trasferite mobile, riparete per il. Evitare di tener le mani e le dita vicino alle parti in movimento, come il piatto, durante la stampa.</p> <p><b>注意</b></p> <p>ファンやインクフレイムなどの回転部には近づかない。印刷中は手指を近づけない。</p> <p><b>注意</b></p> <p>手又は指は、稼働部や搬送部と接触する危険がある。印刷中は手指を近づけない。</p>
---	---

5	<p><b>危険</b></p> <p>高圧電圧が危険。印刷部を近づけない。高圧電圧が危険。印刷部を近づけない。</p> <p><b>危険</b></p> <p>高圧電圧が危険。印刷部を近づけない。高圧電圧が危険。印刷部を近づけない。</p> <p><b>DANGER</b></p> <p>High voltage is dangerous. Do not touch the printing unit. High voltage is dangerous. Do not touch the printing unit.</p> <p><b>GEFAHR</b></p> <p>Hochspannung ist gefährlich. Berühren Sie nicht die Druckeinheit. Hochspannung ist gefährlich. Berühren Sie nicht die Druckeinheit.</p> <p><b>DANGER</b></p> <p>Alta tensione pericolosa. Non toccare l'unità di stampa. Alta tensione pericolosa. Non toccare l'unità di stampa.</p> <p><b>PELIGRO</b></p> <p>Alta tensión peligrosa. No toque la unidad de impresión. Alta tensión peligrosa. No toque la unidad de impresión.</p>
---	--

6	<p><b>注意</b></p> <p>この装置は、高圧電圧を発生する可能性があります。印刷部を近づけない。</p> <p><b>ACHTUNG</b></p> <p>Dieses Gerät kann Hochspannung erzeugen. Berühren Sie nicht die Druckeinheit.</p> <p><b>ATTENZIONE</b></p> <p>Questo dispositivo può generare alta tensione. Evitare di toccare l'unità di stampa.</p> <p><b>ATENCIÓN</b></p> <p>Este dispositivo puede generar alta tensión. Evitar tocar la unidad de impresión.</p> <p><b>注意</b></p> <p>この装置は、高圧電圧を発生する可能性があります。印刷部を近づけない。</p> <p><b>ACHTUNG</b></p> <p>Dieses Gerät kann Hochspannung erzeugen. Berühren Sie nicht die Druckeinheit.</p> <p><b>ATTENZIONE</b></p> <p>Questo dispositivo può generare alta tensione. Evitare di toccare l'unità di stampa.</p> <p><b>ATENCIÓN</b></p> <p>Este dispositivo puede generar alta tensión. Evitar tocar la unidad de impresión.</p>
---	---



7



## High temperature warning display

8

<b>⚠ 注意</b>	
下痢・おう吐する可能性がある。インフルエンザなどの液体薬が目や皮膚に付かないようにすること。炎症を起こす可能性がある。インフルエンザなどの液体薬が目や皮膚に付かないようにすること。子供の手の届かないところに置くこと。	
<b>⚠ 注意</b>	
有可能導致嘔吐・泄肚。請勿飲用油質藥膏液體。有可能引起炎症。注意油質藥膏液體不要飛到眼中或皮膚上。請放置在兒童無法觸及的地方。	
<b>⚠ CAUTION</b>	
Do not drink the liquids under any circumstances, as they can cause vomiting and diarrhea. Take care not to let the liquids come into contact with your eyes or onto your skin, otherwise inflammation can result. Keep the liquids out of the reach of children.	
<b>⚠ ACHTUNG</b>	
Bitte trinken Sie nicht die Flüssigkeiten, da die Gefahr von Erbrechen und Durchfall besteht. Vermeiden Sie den Kontakt der Flüssigkeiten mit Augen und Haut, sonst können diese gereizt werden. Halten Sie die Flüssigkeiten von Kindern fern.	
<b>⚠ ATTENTION</b>	
Ne pas avaler les liquides d'aucune manière, car ceci pourrait entraîner vomissements et diarrhée. Veillez à ne pas laisser ces liquides être en contact avec les yeux ou la peau, car ceci pourrait entraîner une inflammation. Maintenez les liquides hors de portée des enfants.	
<b>⚠ ATENCION</b>	
No tome los líquidos en cualquier caso, como pueden causar vómitos y diarrea. Tome el cuidado para no permitir que los líquidos toquen los ojos ni en la piel, de otro modo inflamación puede resultar. Mantenga los líquidos fuera del alcance de niños.	
<b>⚠ ATTENZIONE</b>	
Non bere per nessun motivo i liquidi poiché possono causare vomito e diarrea. Evitare il contatto di questi liquidi con gli occhi e con la pelle poiché potrebbero creare infiammazioni. Conservare i liquidi lontano dalla portata dei bambini.	
<ul style="list-style-type: none"> <li>■ 処理の仕方に従って廃棄してください。■ 取扱要領を法律遵守。</li> <li>■ Descarte în conformanță cu regulile reglementare.</li> <li>■ Gebrauchte es gemäß örtlichen Richtlinien entsorgen.</li> <li>■ Jetez conformément à la réglementation locale en vigueur.</li> <li>■ Descartele seguendo la norma local.</li> <li>■ Smaltire in conformità alle normative locali.</li> </ul>	

9

<b>brother</b> 油質 GREASE	<b>⚠ 注意</b>	<b>⚠ 注意</b>	<b>⚠ CAUTION</b>
	目に入ったり皮膚につくと、炎症を起こすことがある。使用後は、手を洗ってください。金や木など、下痢、嘔吐する。子供の手の届かないところに置くこと。	取扱中に目や皮膚に接触すると、炎症を引き起こす可能性があります。使用後は手を洗ってください。金や木など、下痢、嘔吐する。子供の手の届かないところに置くこと。	Lubricating grease may cause inflammation to eye and skin. Wear protective glasses and gloves. Swallowing grease can cause diarrhoea and vomiting. Do not swallow.

10

<b>⚠ CAUTION</b>
Do not drink the liquids under any circumstances, as they can cause vomiting and diarrhea. Take care not to let the liquids come into contact with your eyes or onto your skin, otherwise inflammation can result. Keep the liquids out of the reach of children.
<b>⚠ ACHTUNG</b>
Bitte trinken Sie nicht die Flüssigkeiten, da die Gefahr von Erbrechen und Durchfall besteht. Vermeiden Sie den Kontakt der Flüssigkeiten mit Augen und Haut, sonst können diese gereizt werden. Halten Sie die Flüssigkeiten von Kindern fern.
<b>⚠ ATTENTION</b>
Ne pas avaler les liquides d'aucune manière, car ceci pourrait entraîner vomissements et diarrhée. Veillez à ne pas laisser ces liquides être en contact avec les yeux ou la peau, car ceci pourrait entraîner une inflammation. Maintenez les liquides hors de portée des enfants.
<b>⚠ ATENCION</b>
No tome los líquidos en cualquier caso, como pueden causar vómitos y diarrea. Tome el cuidado para no permitir que los líquidos toquen los ojos ni en la piel, de otro modo inflamación puede resultar. Mantenga los líquidos fuera del alcance de niños.
<b>⚠ ATTENZIONE</b>
Non bere per nessun motivo i liquidi poiché possono causare vomito e diarrea. Evitare il contatto di questi liquidi con gli occhi e con la pelle poiché potrebbero creare infiammazioni. Conservare i liquidi lontano dalla portata dei bambini.
<b>⚠ 注意</b>
有可能導致嘔吐・泄肚。請勿飲用油質藥膏液體。有可能引起炎症。注意油質藥膏液體不要飛到眼中或皮膚上。請放置在兒童無法觸及的地方。
<b>⚠ 注意</b>
下痢・おう吐する可能性がある。インフルエンザなどの液体薬が目や皮膚に付かないようにすること。炎症を起こす可能性がある。インフルエンザなどの液体薬が目や皮膚に付かないようにすること。子供の手の届かないところに置くこと。

## SAFETY INSTRUCTIONS

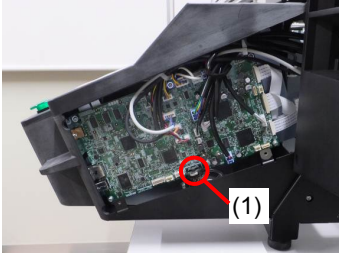
### <When you dispose of the machine>

#### Required Tools

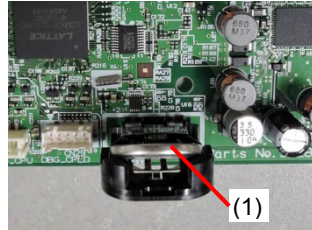
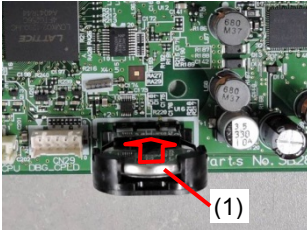
Phillips screwdriver: M3 to M5

#### Disassembling

1) Remove the Cover PANEL SIDE.



2) Remove the Lithium Battery (1) by pulling out the holder in the direction of the arrow.



3) Pickup the Lithium Battery (1) to the direction of the arrow.



#### Note based on California law (USA) on the use and handling of Perchlorate

This product contains a CR Coin Lithium Battery which contains Perchlorate Material – special handling may apply.

See

<http://www.dtsc.ca.gov/hazardouswaste/perchlorate>.

<产品中有害物质的名称及含量>

型号	有害物质					
	铅	镉	六价铬	汞	多溴联苯	多溴二苯醚
部件名称	Pb	Cd	Cr(VI)	Hg	PBB	PBDE
BGTX423H5000032 BGTX424H5000032						
框架机制	○	○	○	○	○	○
盖板机制	○	○	○	○	○	○
台板机制	×	○	○	○	○	○
导轨机制	×	○	○	○	○	○
维护机制	×	○	○	○	○	○
供墨机制	×	○	○	○	○	○
打印头机制	×	○	○	○	○	○
电气部品	×	○	○	○	○	○
操作面板机制	×	○	○	○	○	○
配件	○	○	○	○	○	○
使用手册/其他零件	○	○	○	○	○	○
包装	×	○	○	○	○	○
框架机制	○	○	○	○	○	○

本表格依据 SJ/T 11364 的规定编制。

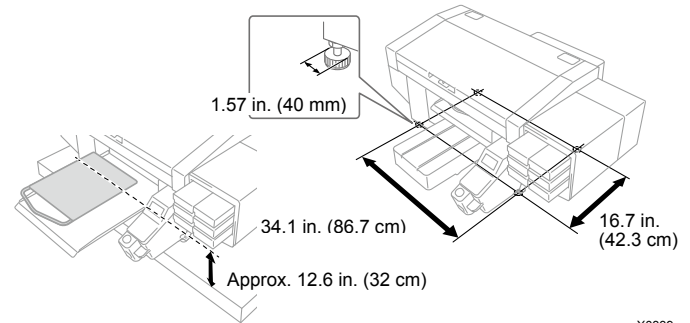
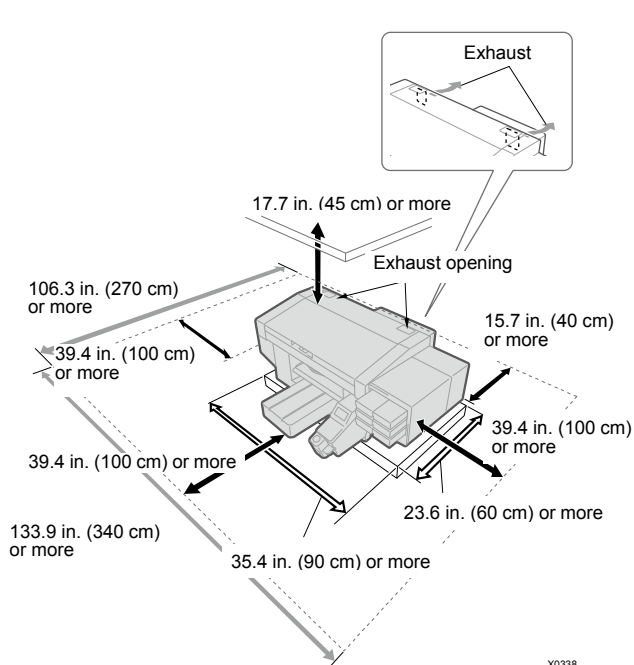
○：表示该有害物质在该部件所有均质材料中的含量均在 GB/T 26572 规定的限量要求以下。

×：表示该有害物质至少在该部件的某一均质材料中的含量超出 GB/T 26572 规定的限量要求。

（由于技术的原因暂时无法实现替代或减量化）

# Installation

## 1 Checking the installation site



X0339

- The following environmental requirements should be met:

Environment	Temperature	Humidity
Keeping your printer	0°C (32°F) to 40°C (104°F)	20 % to 85 % (no condensation)
Working Environment <sup>*1</sup>	10°C (50°F) to 35°C (95°F)	
Recommended Print Environment <sup>*2</sup>	18°C (64.4°F) to 30°C (86°F)	35% to 85 % (no condensation)

Electrical Requirements	Power	Power Consumptions
—	Single-phase 100-240 V, 50/60 Hz	80 W

<sup>\*1</sup>: Environmental range where the printer can be operated.

<sup>\*2</sup>: Environmental range where sufficient printing quality can be secured.



**IMPORTANT**

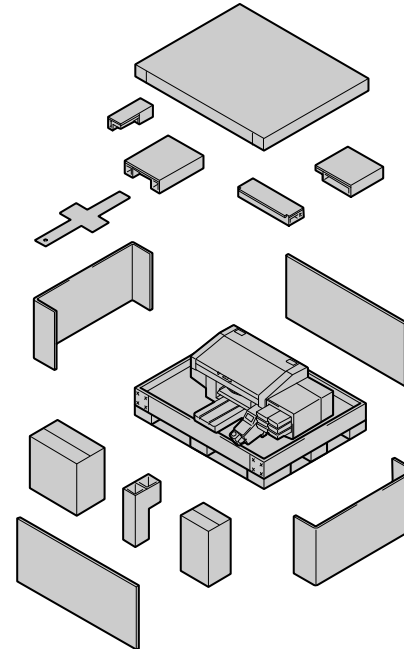
The ink pouch for use in the initial installation should be sent in advance to the location where to install the printer and stored indoor.

\*If you use ink at extremely low temperature when the outside temperature is low or in the cold season, the ink becomes hard to flow during ink installation.

X0338

## 2 Unpacking

- When installing the printer, avoid any place that presents direct sunlight or a large amount of dust.
- The body size is 55.1 in. (width) x 51.2 in. (depth) x 21.7 in. (height) (140 cm (width) x 130 cm (depth) x 55 cm (height)) and the mass weighs 128 kg (282 lb).
- Dimensions of the legs are 34.1 in. (86.7 cm) in width and 16.7 in. (42.3 cm) in depth. The diameter of the legs is 1.57 in. (40mm).
- The height from the table to the top surface of the platen is approx. 12.6 in. (32 cm).
- Do not use an extension cable.
- Ensure ample work space of over 39.4 in. (100 cm) in front of and to each side of the printer is available. Also, as a space to install the rear cover, keep 15.7 in. (40 cm) or wider space in the back of the printer. Keep 17.7 in. (45 cm) or wider space in the ceiling direction as well. As the air is exhausted toward the rear side, keep 7.9 in. (20 cm) or more space from the exhaust opening. If this space is not secured, you will have to move peripherals or the printer when making a repair.
- The table that supports the printer should be at least 35.4 in. (90 cm) in width and 23.6 in. (60 cm) in depth, and should be able to bear a weight of 150 kg (330 lb) or more. The tabletop should be horizontal and should not rattle when the printer is running.
- When installing the printer, place a level gauge on the top surface of the cover and the top surface of the platen to make adjustments so that the main unit is set horizontally.
- In preparation for a major earthquake or other natural disasters, fix the table and the main unit with a tool like a fixing band to prevent the main unit from falling from the table.

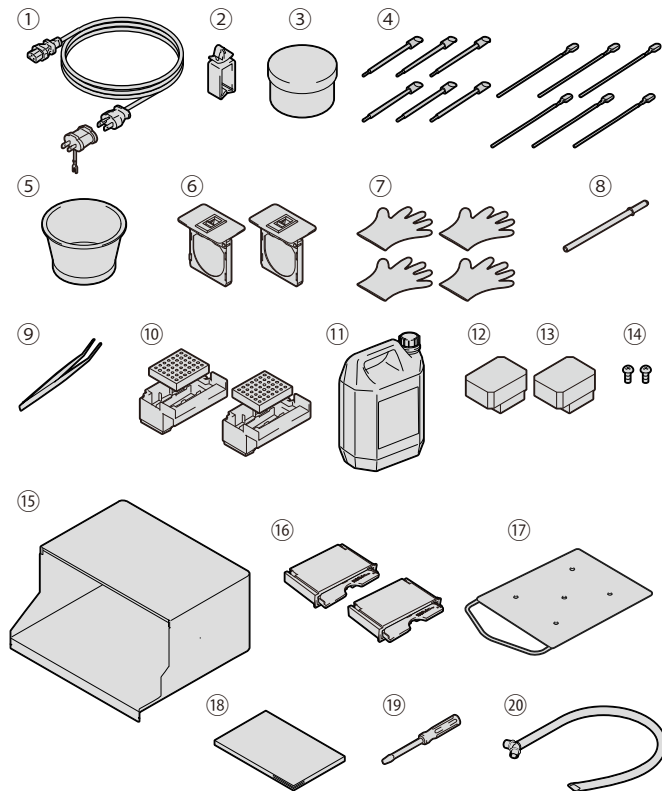


X0340



Do not turn on the power until "P.5 Removing the protection materials" is completed. Otherwise the printer may fail.

Check the supplied accessories.



- ① AC power cord
- ② Cable clamp
- ③ Grease
- ④ Clean stick R x 6 / Clean stick T x 6
- ⑤ Cleaning cup
- ⑥ Filter cover / Fan filter x 2
- ⑦ Gloves (for changing the wiper cleaner / for cleaning the maintenance unit) x 4
- ⑧ Carriage fixing pin
- ⑨ Tweezers
- ⑩ Flushing receiver x 2 / Flushing foam x 2
- ⑪ Waste ink tank
- ⑫ Print head (for color printing)
- ⑬ Print head (for white)
- ⑭ Rear cover installation screw x 2
- \* Screws are already fixed with the machine.
- ⑮ Rear cover
- ⑯ Wiper cleaner x 2
- ⑰ Adult platen
- ⑱ Setup Manual (this manual)
- ⑲ Driver
- ⑳ Waste ink tube

### 3 Transporting the printer

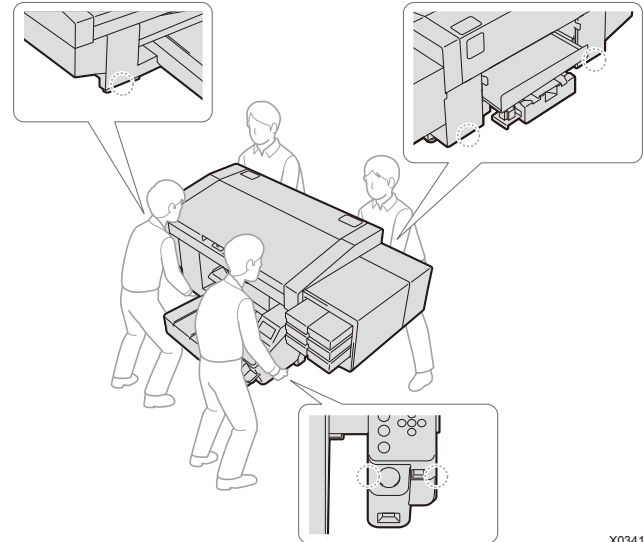
Prepare the following items along with the supplied accessories:

- Ink pouch  
Black / Magenta / Cyan / Yellow x 350 ml or more (for each)  
White 500 ml or more x 2
- Cleaning solution
- Pretreatment



**TIPS**

If you are not using white ink and using only color inks, then prepare a maintenance solution pouch instead of a white ink pouch.



X0341



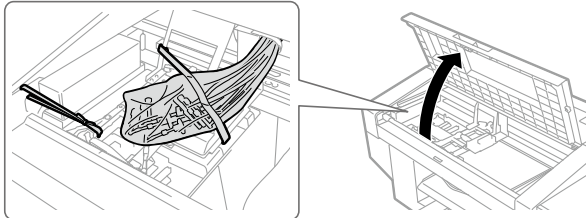
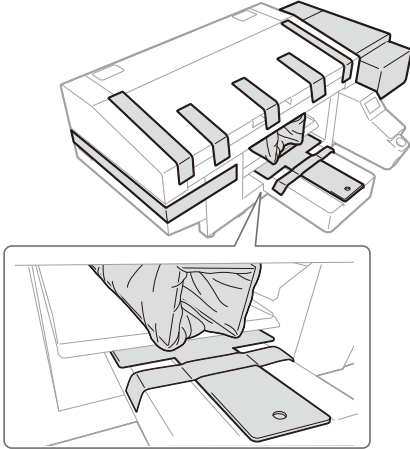
#### **CAUTION**

The printer machine weighs 128 kg (282 lb). Transporting and installing the printer requires four or more people to hold it at the ▼-marked positions (which are located where the printer can be held). Otherwise the machine may fall down, causing injury or resulting in failure of the printer.

# Setup of the printer

## 1 Removing the protection materials

Remove all the tapes, strings and sheets shown in the below illustration.



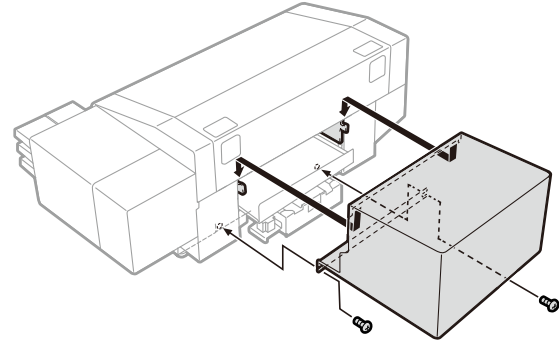
X0342

X0005

## 2 Mounting the supplied accessories

Mount the supplied accessories according to the following procedures.  
Please note that the platen should be mounted after turning on the power.

### Rear cover



X0343

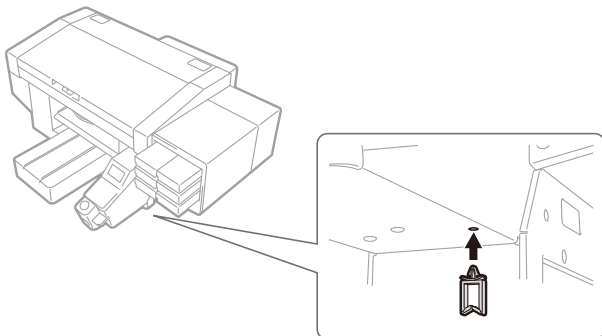


Be careful not to touch the claws of mounting portion on the upper side of the rear cover. Otherwise you may be injured.



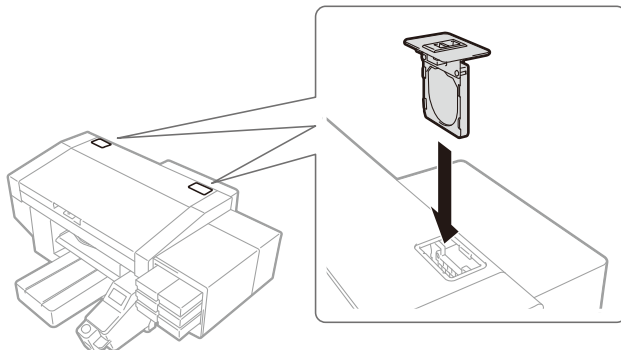
### Cable clamp

This is used to put the cables together.



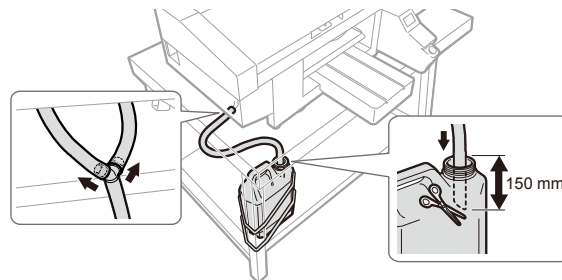
X0344

### Filter cover and Fan filter



X0345

### Waste ink tank



X0346

Insert the waste ink tube into the main body. Fasten the waste ink tank to the table leg or the like by using two pieces of string, etc. Insert the waste ink tube into the waste ink tank.



IMPORTANT

If the tip of the waste ink tube is immersed in the liquid, it will prevent the smooth flow of the waste ink, to disable the ink suction operation of the head cleaning function. After the waste ink tank is fastened, the waste ink tube should be cut so that the length from the tube connection is 150 mm. The waste ink tube should be cut diagonally.

Avoid placing the waste ink tube horizontally as much as possible, and be sure not to let it bend. Otherwise the waste ink may have difficulty flowing through the tube.

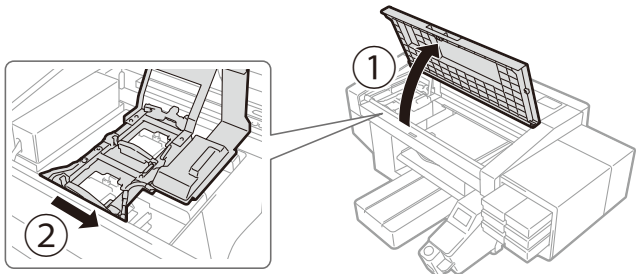


TIPS

Install the waste ink tank in the front, because it must be emptied when the waste ink is full.

## Setup of the printer

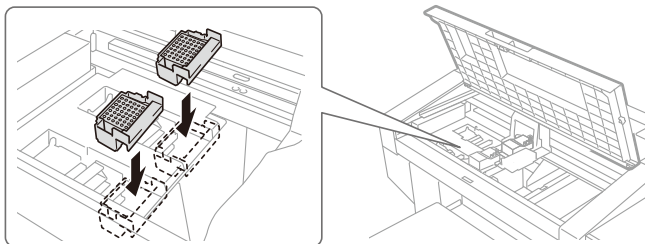
Mount the following supplied accessories inside the printer.



X0347

Open the cover to the direction ① and shift the carriage to direction ②. Put on the gloves that came with the printer and perform the following work.

### Flushing receiver



X0348

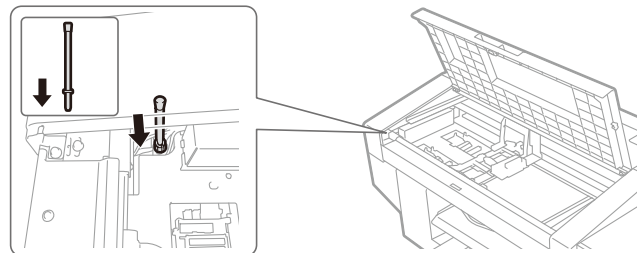
Install the printer with the hole on the bottom oriented to the front (there is no difference in white and color sides; they can be mounted on either side).



IMPORTANT

Make sure that no flushing foam extends off the outboard end portions of the flushing receiver. If it does, it may interfere with the nozzle surface of the head and may result in a problem concerning firing of the print heads.

### Carriage fixing pin



X0187

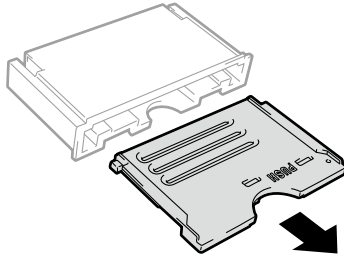


TIPS

The carriage fixing pin will be needed when the power is turned OFF due to power outage while the printer is running and the recovery is not expected for a while. Secure the pin in the place illustrated above so as not to lose it.

The front cover will not close completely if the carriage is fixed with the carriage fixing pin.

## Wiper cleaner



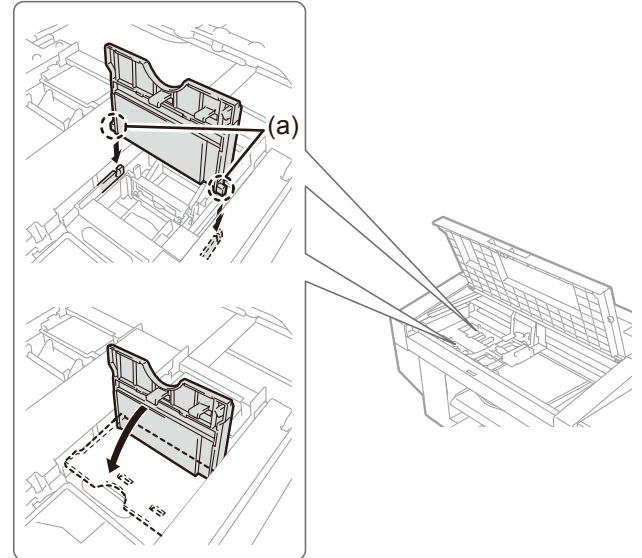
X0120



TIPS

Waste should be disposed of in accordance with regulations and laws.

Use the cleaner by expiration date written on the label. Mount it on the machine immediately after it is unpacked.

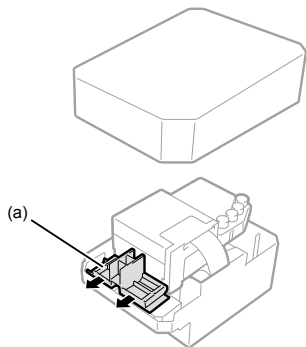


X0349

Insert the shaft (a), and push the area with the "PUSH" indication until it clicks (there is no difference in white and color sides; they can be mounted on either side).

Print head

1.



X0009



IMPORTANT

When you unpack the head, be careful not to touch the bottom of the head. Otherwise it may cause poor printing.

When you mount the head, shift the carriage toward the center of the printer; to the position above the platen. If you perform the mounting of the head when the carriage is directly above the maintenance unit, it may damage the maintenance unit or the heads.

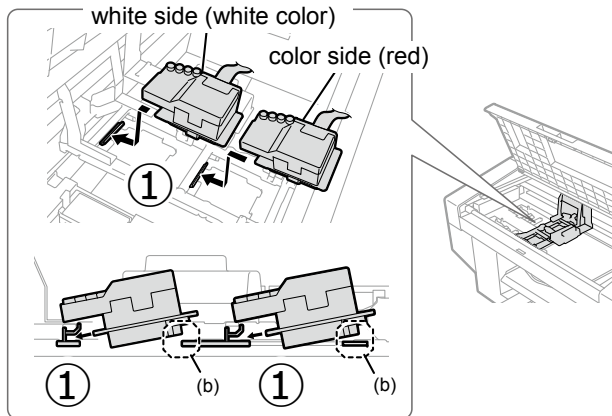


TIPS

Do not confuse the color side print head with the white side print head. The color side (red) print head is located in front and the white side (white color) print head on the back.

The gray area (a) illustrated above may be hard and difficult to remove. If it is, use both hands to remove it.

2.



X0375

Insert the head firmly to direction ①.



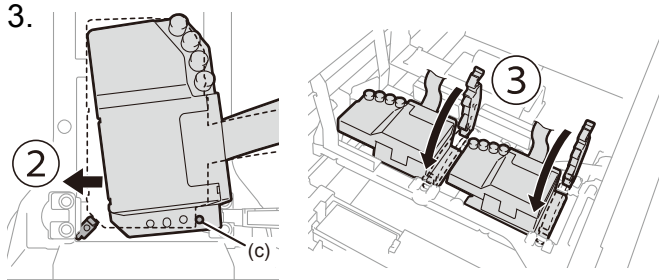
IMPORTANT

If the print head is not inserted sufficiently, the part as illustrated in (b) could come into contact with its bottom surface, which in turn may result in poor printing. Make sure to insert it to the end.



**CAUTION**

When mounting the head, be careful not to move the carriage as much as can be avoided. Your hand may be caught in the carriage and injured. In addition, the tubes may be rolled together possibly damaging them.



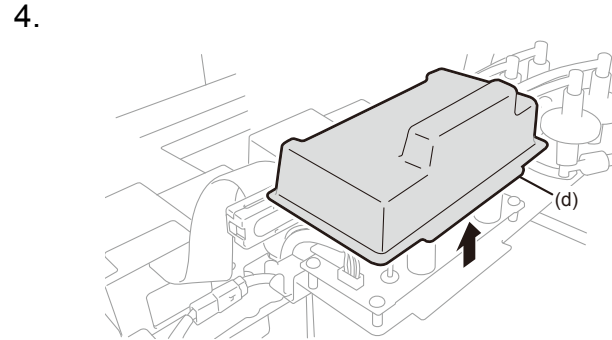
X0376

Push with force in the direction as indicated in ② so that the (c) area makes contact with the side of the metal plate of the head.



## CAUTION

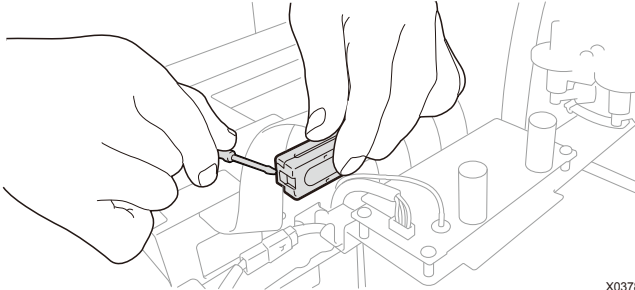
When you mount ③, hold it down from the top. Otherwise your finger may be pinched and injured.



X0427

Unhook the two claws of the resin cover (d) to remove the resin cover.

5.



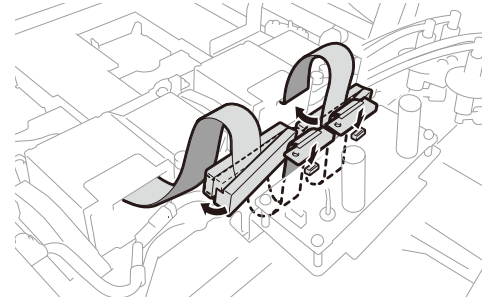
X0378

Remove the core claw using the supplied screwdriver.



Hold the core center by hand to make it easy to insert the screwdriver into the claw.

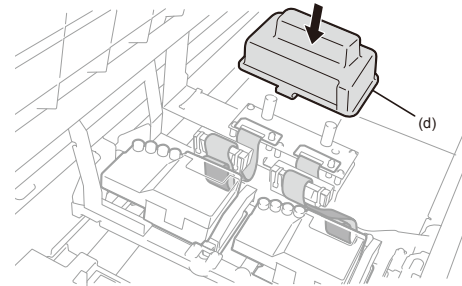
6.



X0379

Connect the flat cable by fitting it with the core. Fit the claw by pushing the core until it clicks into place. Leave a slack to avoid interference with the resin cover.

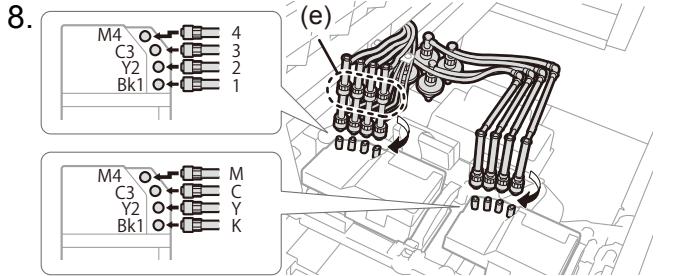
7.



X0377

Hook the two claws of the resin cover to mount the cover (d). Tuck the extra flat cable as shown in the illustration.

### 3 Filling the cleaning solution



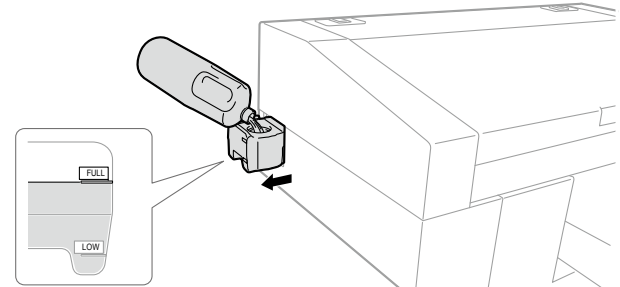
Remove four caps of the head.  
Check that the head and the marker of each tube are matched and connect the tubes one by one from back to front of the machine by rotating the nut until it stops.



**IMPORTANT**

Do not rotate the nut as illustrated in (e). It could disconnect the tube and leak the contained ink.

Be sure to remove the caps attached to the head before connecting.



Pull out the cleaning liquid tank from the side of the printer; enough to open the lid of the tank and fill the tank with the cleaning solution until reaching the "FULL" line. When filling is completed, close the lid and slowly push the cleaning liquid tank back inside the printer for storage.



**IMPORTANT**

When you pour the cleaning solution, be sure not to exceed the "FULL" line.



**TIPS**

After filling the cleaning solution, make sure to push the cleaning liquid tank in to the end. The cleaning liquid tank that is not properly inserted causes an error and disables printing.

## 4 Ink cartridge setup and installation

Install the ink pouches into cartridges by referring to the illustrations on the label located on the ink bay cover of the machine.



TIPS

If you are not using white ink and using only color inks for printing, install a maintenance solution pouch instead of a white ink pouch, referring to the procedures from step 2.

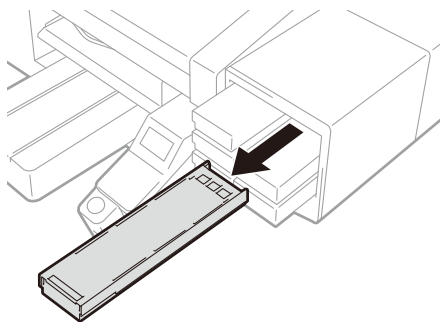
1.

Since there is a component within the white ink which becomes deposited, please be sure to shake the ink pouch before it is taken out of the box.

Hold each edge of the carton containing the pouch tightly and shake it 100 times from side to side.

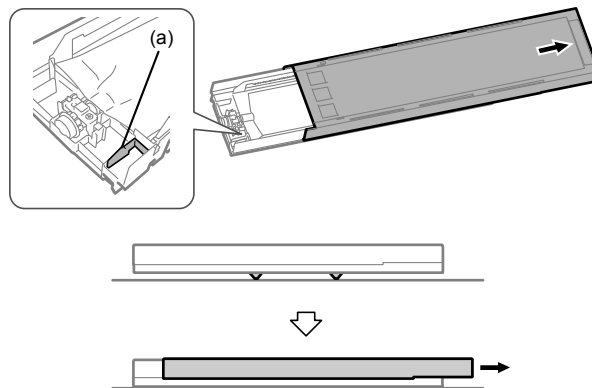
Next, turn it upside down and shake it 100 times.

2.



X0351

3.



Open the lid of the ink cartridge.

X0178



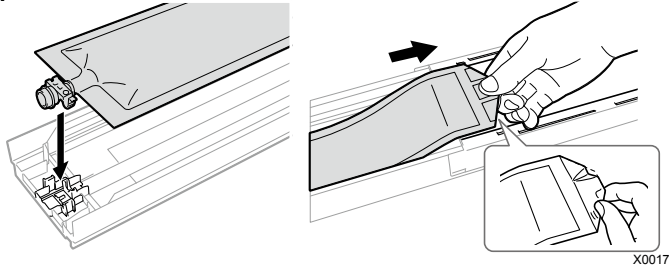
IMPORTANT

When opening the lid, be sure not to touch portion (a). Otherwise, it could be damaged.

Place the entire cartridge on a flat surface, push the latches on the bottom surface of the cartridge downward and open the lid.



4.



Push the tip of the ink pouch in until it clicks.  
Straighten the ink pouch so that it can fit the grooves of the ink cartridge lid and mount it while pulling it by hand.

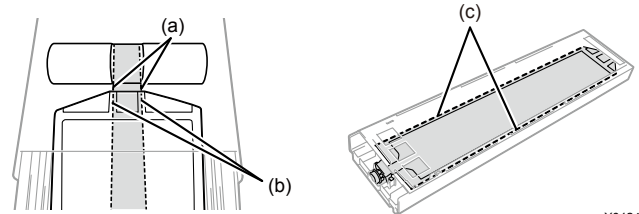


TIPS

If the edge of the ink pouch is bent or undulating significantly, make it straight with your hand.

If you are using only color inks, set a maintenance solution pouch to the position W12 and W34.

5.



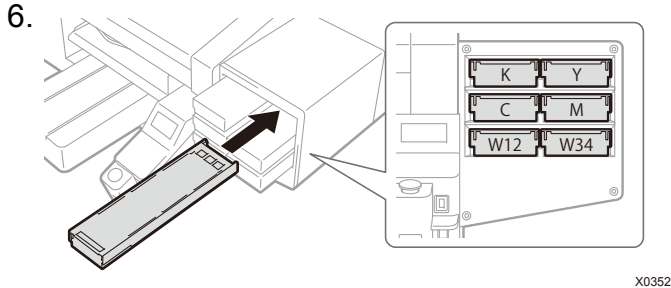
Check that the two illustrated areas (b) and (c) are straight.



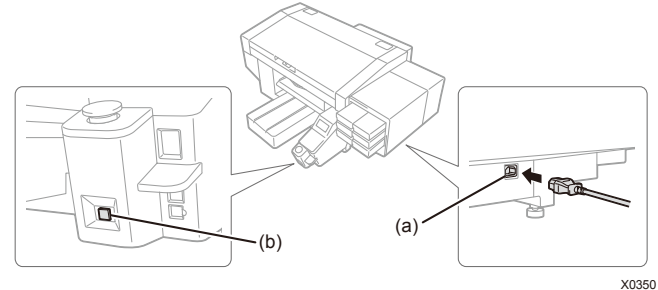
**CAUTION**

Be careful not to touch area (a) illustrated above. Otherwise you may be injured.

## 5 Turning on the power



Stick the expiration date seal supplied with the ink pouch on the front side of the ink cartridge, install the cartridge in the correct color position in the machine and make sure that it is inserted into the machine until complete contact.



Close the cover of the machine and insert the AC power cord into (a) and the outlet. Press the power button (b) to turn the printer power ON.

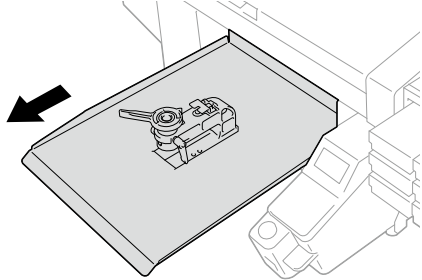


TIPS


An error message "Perform Initial Ink Installation" may be displayed on the screen of the printer but it will be no problem, so please continue to perform the ink installation according to the procedures described in this manual.

## 6 Mounting the platen

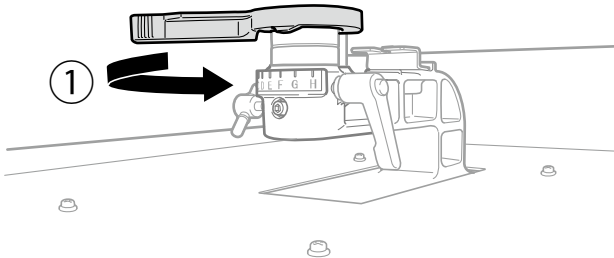
1.



X0029

Press  on the operation panel to move the platen to the front.

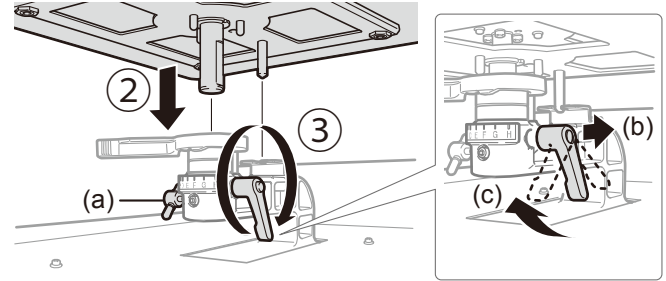
2.



X0288

Rotate the platen height adjustment lever in direction ①, and align the scale to position "A".

3.



X0428

Insert the platen in direction ② and tighten the platen fixing lever in direction ③.



Use with the knob (a) tightened when printing.



Depending on the height of the platen, the platen fixing lever may strike against the platen, and prevent rotation. In that case, move the platen fixing lever in the direction (b), draw the edge of the platen fixing lever forward as shown in (c), then loosen it again.

## 7 Configuring the language

Perform this operation while the printer is in Standby mode.


- 1)  -> [Language] -> Select your language -> 
- 2) Press the power button to turn off the power.



## 8 Installing the ink

Turn on the power of the printer and perform the operation while the printer is in Standby mode.



If you are using only color inks, perform the following procedures.

 -> [Maintenance] -> [White Ink Pause Mode] -> [Enable]  
Then follow the message and perform ink installation.

- 1)  -> [Maintenance] -> [Initial Ink Installation] -> [All Print Heads]
- 2) Follow the precautions on the screen and press  (It takes about 35 minutes).
- 3) Once the system returns to the standby state, proceed to the steps of "Connecting to the PC" (on page 18).

# Connection to a PC



Although the description of this section is based on operation with Windows, you can also use Macintosh.  
For details, refer to the Instruction Manual.

## 1 Installing the driver

- 1) Download the ZIP file from our website and unzip the file.
- 2) Double-click on "setup.exe" -> Activate the installer
- 3) Follow the instructions on the screen.
- 4) After the installation, restart the PC.

## 2-A When connecting via USB

- 1) Connect the printer and PC via a USB2.0 cable.



When putting the USB cable and LAN cable together, use "P.6 Cable clamps".

- 2) Follow the instructions on the screen.



This screen may prompt more than once.  
And this also may require several minutes to complete.

We recommend you to set "Brother GTX pro" or "Brother GTX pro FileOutput" as the default printer for your convenience.

## 2-B When connecting via LAN

### Assignment of printer static IP address

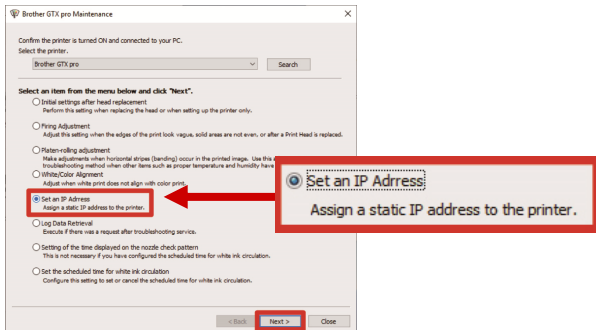
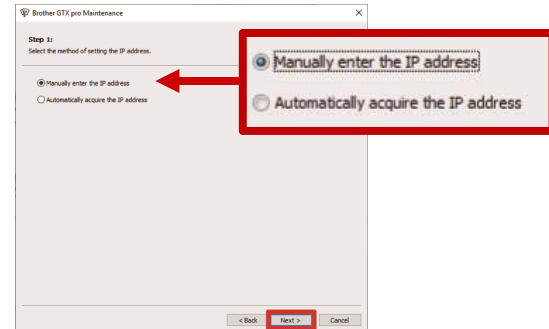


The printer may not be recognized depending on your security environment. Consult the system administrator of the setting site.

The static IP address can also be set on the printer. For details, refer to the Instruction Manual.

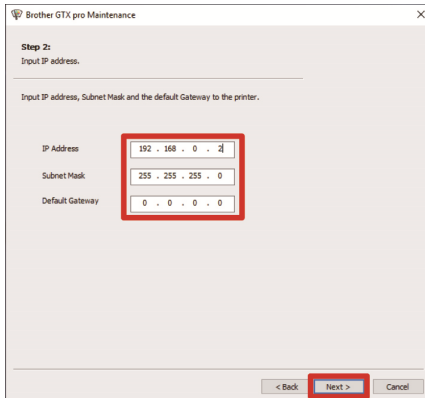
- 1) Perform the procedures of "P.18 When connecting via USB".
- 2) Start menu -> "Brother GTX pro Tools" -> Activate "GTX pro Maintenance"
- 3) Select [Set an IP Address] -> [Next]

4) Select the setting method -> [Next]



## If you selected "Manually enter the IP address"

- 5) Enter the values of [IP Address][Subnet Mask][Default Gateway] -> [Next]. The steps are completed when the message [IP address was successfully assigned to the Printer.] is displayed.



Brother GTX pro Maintenance

Step 2:  
Input IP address.

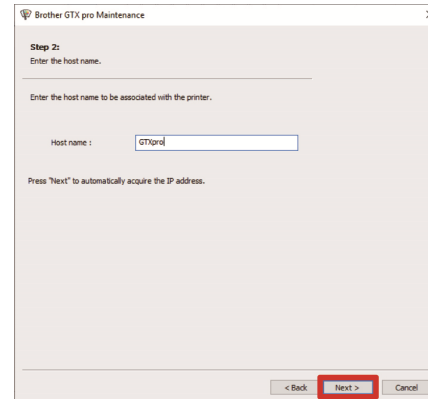
Input IP address, Subnet Mask and the default Gateway to the printer.

IP Address	192 . 168 . 0 . 2
Subnet Mask	255 . 255 . 255 . 0
Default Gateway	0 . 0 . 0 . 0

< Back Next > Cancel

## If you selected "Automatically acquire the IP address"

- 5) Enter the hostname -> [Next]. The steps are completed when the message [IP address was successfully assigned to the Printer.] is displayed.



Brother GTX pro Maintenance

Step 2:  
Enter the host name.

Enter the host name to be associated with the printer.

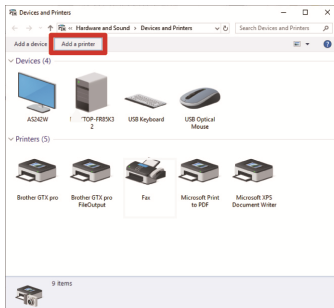
Host name : GTXpro

Press "Next" to automatically acquire the IP address.

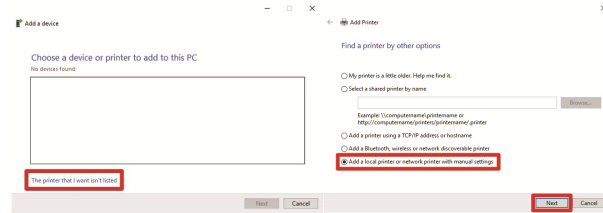
< Back Next > Cancel

### Installing the network print driver

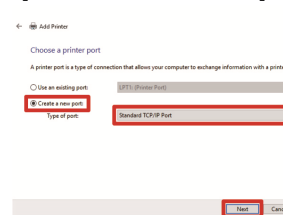
- 1) Connect the printer and PC to a network using LAN cables and turn the printer power ON.
- 2) Windows 8.1: [Control Panel] -> [View devices and printers]  
Windows 10: [Settings] -> [Device] -> [Devices and Printers]
- 3) Click on [Add a printer]



- 4) Windows 8.1: [The printer that I want isn't listed] -> Select [Add a local printer or network printer with manual settings] -> [Next]  
Windows 10: [The printer that I want isn't listed] -> Select [Add a local printer or network printer with manual settings] -> [Next]



- 5) Select [Create a new port] -> From [Type of port], select [Standard TCP/IP Port] -> [Next]





6) Enter the static IP address of the printer into [Hostname or IP address] -> Uncheck the check box of [Query the printer and automatically select the driver to use] -> [Next]

7) From [Device Type], select [Custom] -> [Settings]

8) From [Protocol], select [LPR] -> Enter "BINARY\_P1" in the [Queue Name] of [LPR Settings] -> [OK] -> [Next]

9) Click on [Have Disk]



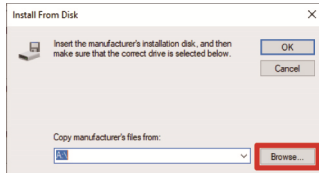
TIPS

If you set the printer's IP address by automatic acquisition, you must check the IP address of the printer in advance. You can confirm the IP address by selecting [Confirm network setting] -> [IP Address] from the menu. For details, refer to "8-25. Confirm network setting" in the Instruction Manual.

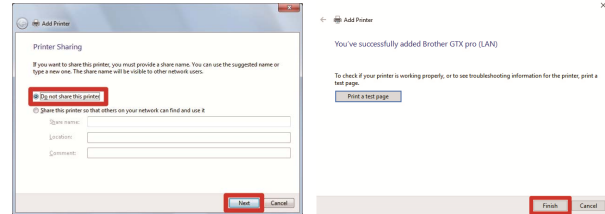
If you are using a DNS server, you can use a host name and domain name instead of the IP address. In that case, enter the host name that has been acquired automatically and set for the printer IP address (see P.20). As for the domain name, check with your network administrator.

## Connection to a PC

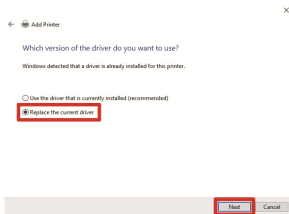
- 10) [Browse] -> Select "64bit\_OS" folder in the installer -> [OK] -> [Next]



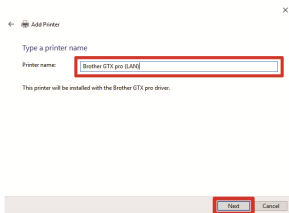
- 13) When the next screen appears, select [Do not share this printer] -> [Next] -> [Finish]



- 11) Select [Replace the current driver] -> [Next]





- 12) Enter the [Printer name] -> [Next]



# Adjustment

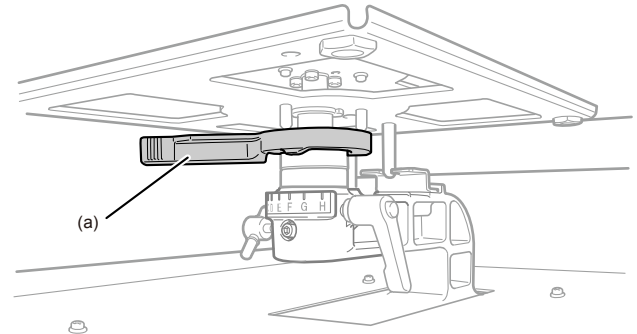
## 1 Adjusting the carriage speed

Perform the operation while the printer is in Standby mode.

- 1)  -> [Printer Setting] -> [CR Speed Adjustment] -> [Start (after cleaning/setup)] ->  (It takes about 3 minutes.)
- 2) When the printer stops with a sound and the printer returns to Standby mode, the operation is completed.

## 2 Checking the nozzle check pattern

- 1) Make sure that the platen height adjustment lever (a) is set at the "A" position.

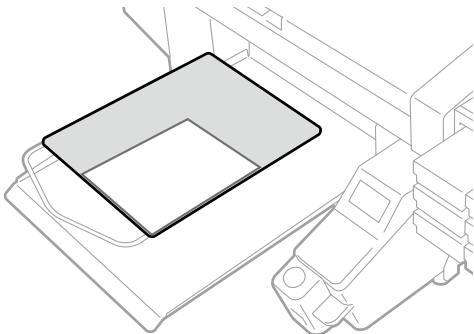


X0290





Use a platen sized 14 in. x 16 in. (356 mm x 406 mm), which is included at the time of your purchase.

- 2) Place a sheet of A4 or letter-size white paper as illustrated below (Pretreated T-shirt is also acceptable).  
If the paper tends to be floated, tape the corners.





X0020

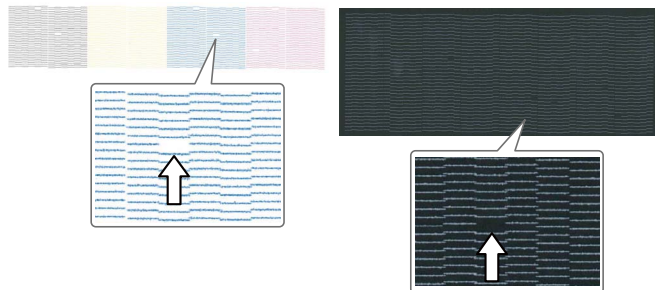
- 3) Perform the following operation on the screen of the printer:

 -> [Test Print] -> [Nozzle Check CMYK] -> 

- 4) When printing is finished and the printer returns to Standby mode, set a piece of black paper or transparent sheet (such as OHP sheet) of A4 or letter size in the same manner as step 2 (A pretreated black or dark color T-shirt is also acceptable).

5)  -> [Test Print] -> [Nozzle Check White] -> 

- 6) Check the printed results for both nozzle check prints and determine if there is a problem.  
If missing nozzles are found as indicated by the arrows below, there is a problem concerning the firing of the print heads.





X0291



**TIPS**

Even if the lines of the white-side printed result are light, since white ink is fired from more than one nozzle on the same place, the quality is not affected.

- 7) If any problem is found, perform a normal cleaning.  
While the printer is in Standby mode, press , select the head with the problem, and press .
- 8) Check the nozzle check pattern again.  
If the problem still persists, please contact your dealer.

### 3 Making adjustments after the print head is mounted

- 1) Connect the printer and PC via a USB 2.0 cable or LAN cable. On the PC side, "Brother GTX pro Tools" → Activate "GTX pro Maintenance".
- 2) Prepare a few sheets of A4 or letter-size paper (black paper or transparent sheet such as OHP sheet and white paper), tape for fixing the paper, and a pretreated black or dark color T-shirt.



**TIPS**

For details for pretreatment, refer to the Instruction Manual.

- 3) Following the instructions on the "GTX pro Maintenance" screen, run the following menu options.

	Menu name	Things to prepare
1	[Initial settings after head replacement] <sup>*1</sup>	—
2	[Firing Adjustment]	Black paper or transparent sheet (such as OHP sheet) White paper
3	[Platen-Rolling Adjustment]	White paper
4	[White/Color Alignment]	Black paper or pretreated black or dark color T-shirt
5	[Setting of the time displayed on the nozzle check pattern]	—

<sup>\*1</sup>: In [Initial settings after head replacement], set the values written on the print head or the container.

## 4 What to do in the White Ink Pause Mode

For the White ink pause mode, perform the following steps using "GTX pro Maintenance".

	Menu name	When in White Ink Pause Mode
1	[Initial settings after head replacement]	Performed for color head only Upon completion of color head setting, click [Cancel] to close the maintenance tool once and then start it. Then proceed to the following steps.
2	[Firing Adjustment]	Performed for color head only Upon completion of color head setting, click [Cancel] to close the maintenance tool once and then start it. Then proceed to the following steps.
3	[Platen-rolling adjustment]	Performed
4	[White/Color Alignment]	Not required
5	[Setting of the time displayed on the nozzle check pattern]	Performed



TIPS

For information on the White ink pause mode, see "7-3. White Ink Pause Mode" in the Instruction Manual.

- 1) When the completion screen appears, click [OK] to finish the operation.



TIPS

If you want to check the value you have set, do not perform the above procedures as a means to verify them. The setting will be reset and returned to the initial value. To check the value in a proper way, refer to the Instruction Manual.



# Maintenance list

To maintain the printing quality and use the printer for a longer time, the following maintenance is needed.  
For details, refer to the Instruction Manual.

Maintenance timing	Description	Error / Warning display
Before printing	Confirmation and disposal of waste ink	—
	Confirmation and refill of cleaning solution	○
	Daily agitation of the white ink	○
	Print out of the nozzle check pattern (checking on the print heads)	—
When an error / warning is displayed	Replacement of ink pouch with a new one	○
	Cleaning of the nozzle guard, wiper, exhaust cap and suction cap	○
	Replacing the wiper cleaner	○
	Replacing the flushing foam	○
	Replacing the fan filter	○
When the printer becomes dirty	Head cleaning	—
	White ink circulation	—
	Cleaning the CR (carriage) plate	—
	Cleaning the internal area of printer	—
	Replacing the platen sheet	—



\*Please note that the contents of this manual may differ slightly from the actual product purchased as a result of product improvements.

**BROTHER INDUSTRIES, LTD.** <http://www.brother.com/>

1-5, Kitajizoyama, Noda-cho, Kariya 448-0803, Japan.

---

© 2020 Brother Industries, Ltd. All Rights Reserved.

This is the original instructions.

GTX-423  
SC2445-001  
2020.05.F(1)